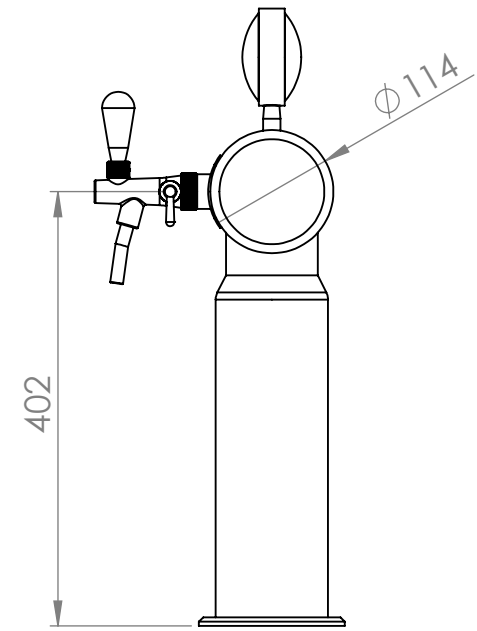
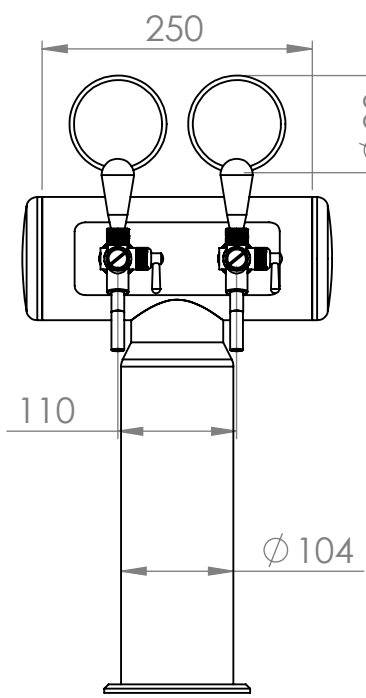


4 3 2 1

F

F

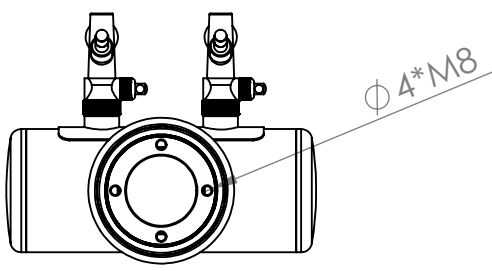


E

E

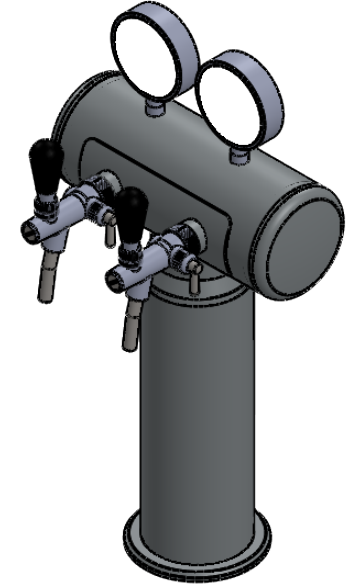
D

D



C

C



B

B

UNLESS OTHERWISE SPECIFIED:  
DIMENSIONS ARE IN MILLIMETERS  
SURFACE FINISH:  
TOLERANCES:  
LINEAR:  
ANGULAR:

FINISH:

DEBURR AND  
BREAK SHARP  
EDGES

DO NOT SCALE DRAWING

REVISION

	NAME	SIGNATURE	DATE
DRAWN			
CHK'D			
APPV'D			
MFG			
Q.A			

TITLE:  
**HOLTEC**

DWG NO.  
**bottleneck 2 +led** A4

SCALE: 1:10

SHEET 1 OF 1

A

A

4 3 2 1